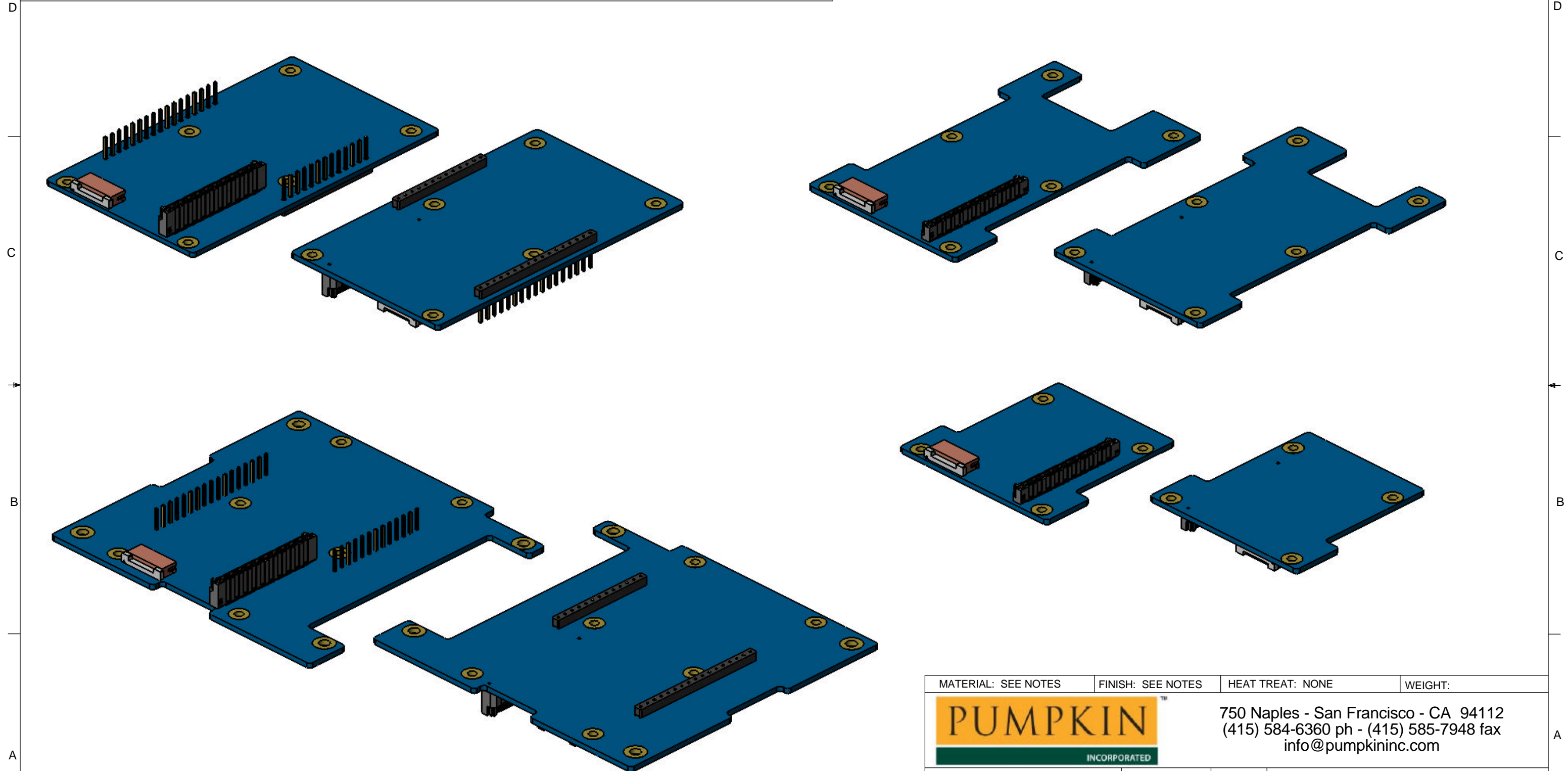



**PROPRIETARY NOTICE**

NOTICE IS HEREBY GIVEN THAT THIS DOCUMENT EMBODIES A CONFIDENTIAL PROPRIETARY DESIGN OR IS PART OF A CONFIDENTIAL PROPRIETARY DESIGN ORIGINATED BY OURSELVES OR ONE OF OUR CUSTOMERS, AND ALL DESIGN, MANUFACTURING, PREPRODUCTION USE AND SALE RIGHTS REGARDING THE SAME ARE EXPRESSLY RESERVED. IT IS SUBMITTED UNDER A CONFIDENTIAL RELATIONSHIP FOR A SPECIFIC PURPOSE, AND THE RECIPIENT BY ACCEPTING THIS DRAWING AGREES NOT TO SUPPLY OR DISCLOSE ANY INFORMATION REGARDING IT TO ANY UNAUTHORIZED PERSON, OR TO INCORPORATE IN OTHER PROJECTS, ANY SPECIAL FEATURES PECULIAR TO THIS DESIGN.

**REVISION HISTORY**

REV	LOC	DESCRIPTION	DATE	APP'VD



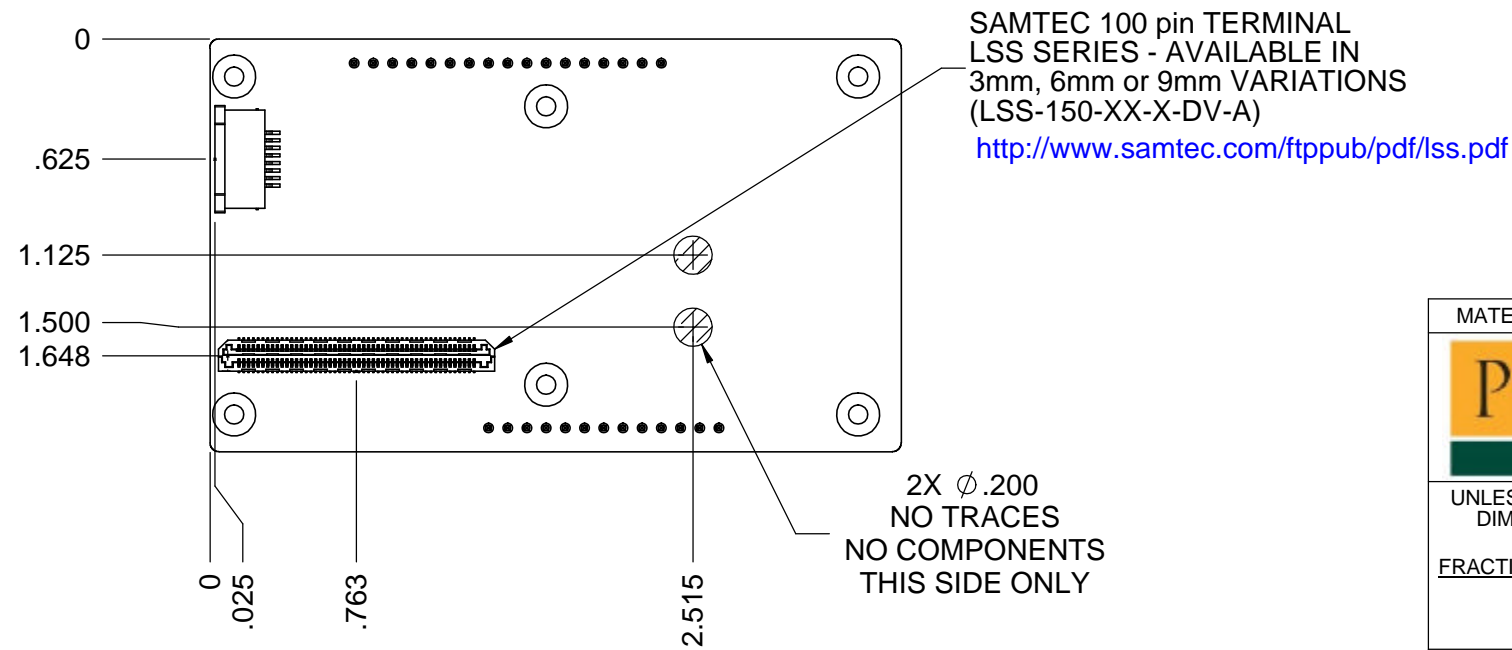
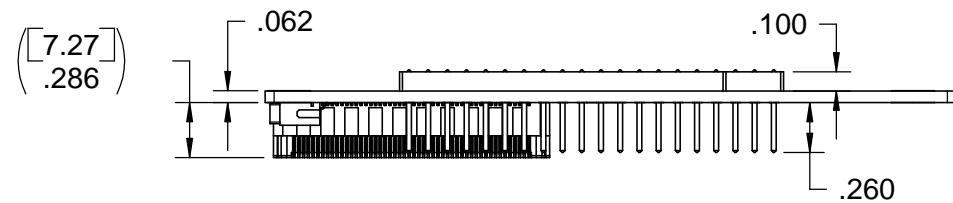
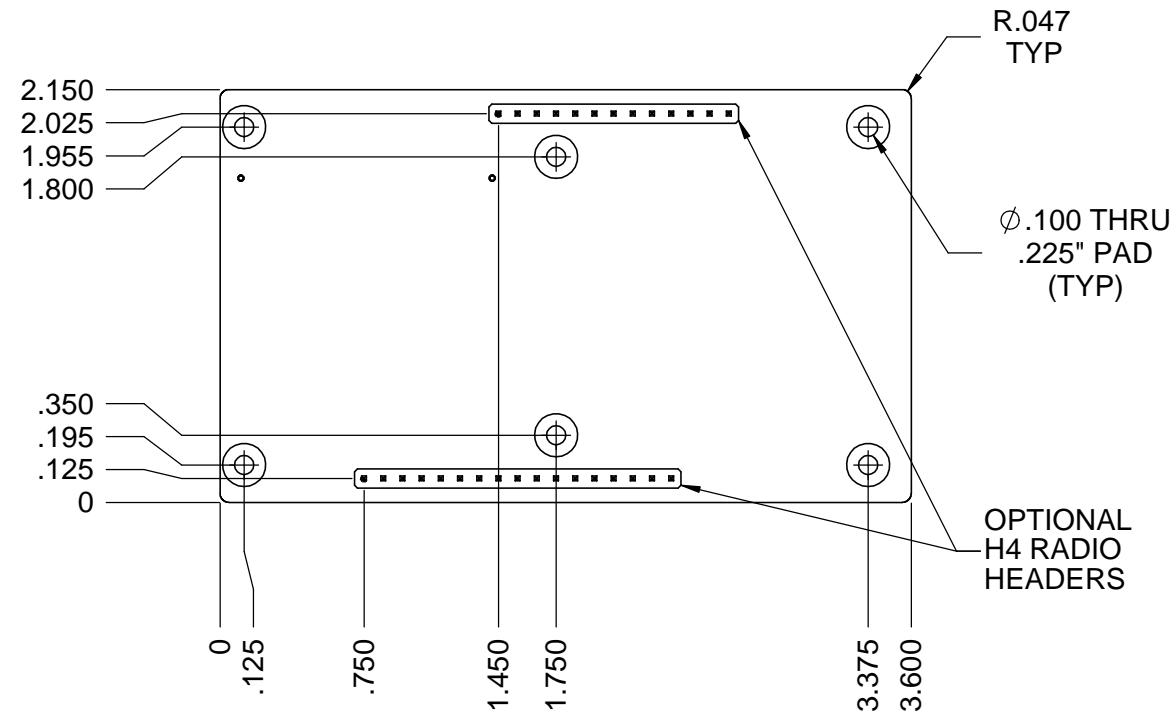
MATERIAL: SEE NOTES	FINISH: SEE NOTES	HEAT TREAT: NONE	WEIGHT:
		750 Naples - San Francisco - CA 94112 (415) 584-6360 ph - (415) 585-7948 fax info@pumpkininc.com	
UNLESS OTHERWISE SPECIFIED DIMENSIONS ARE IN INCHES TOLERANCES ARE:	APPROVALS	DATE	TITLE
FRACTIONS DECIMALS ANGLES	DRAWN AWR	06/01/08	<b>Processor Module Spec / Overview</b>
.X = ± .030 .XX = ± .010 ± 0° 30" .XXX = ± .005	CHECKED		SIZE DWG. <b>703-00XXX</b> REV <b>A0</b>
CAD GENERATED DRAWING, DO NOT MANUALLY UPDATE	DO NOT SCALE DRAWING	SCALE 1:1	SHEET 1 OF 1


**PROPRIETARY NOTICE**

NOTICE IS HEREBY GIVEN THAT THIS DOCUMENT EMBODIES A CONFIDENTIAL PROPRIETARY DESIGN OR IS PART OF A CONFIDENTIAL PROPRIETARY DESIGN ORIGINATED BY OURSELVES OR ONE OF OUR CUSTOMERS, AND ALL DESIGN, MANUFACTURING, PREPRODUCTION USE AND SALE RIGHTS REGARDING THE SAME ARE EXPRESSLY RESERVED. IT IS SUBMITTED UNDER A CONFIDENTIAL RELATIONSHIP FOR A SPECIFIC PURPOSE, AND THE RECIPIENT BY ACCEPTING THIS DRAWING AGREES NOT TO SUPPLY OR DISCLOSE ANY INFORMATION REGARDING IT TO ANY UNAUTHORIZED PERSON, OR TO INCORPORATE IN OTHER PROJECTS, ANY SPECIAL FEATURES PECULIAR TO THIS DESIGN.

**REVISION HISTORY**

REV	LOC	DESCRIPTION	DATE	APP'VD



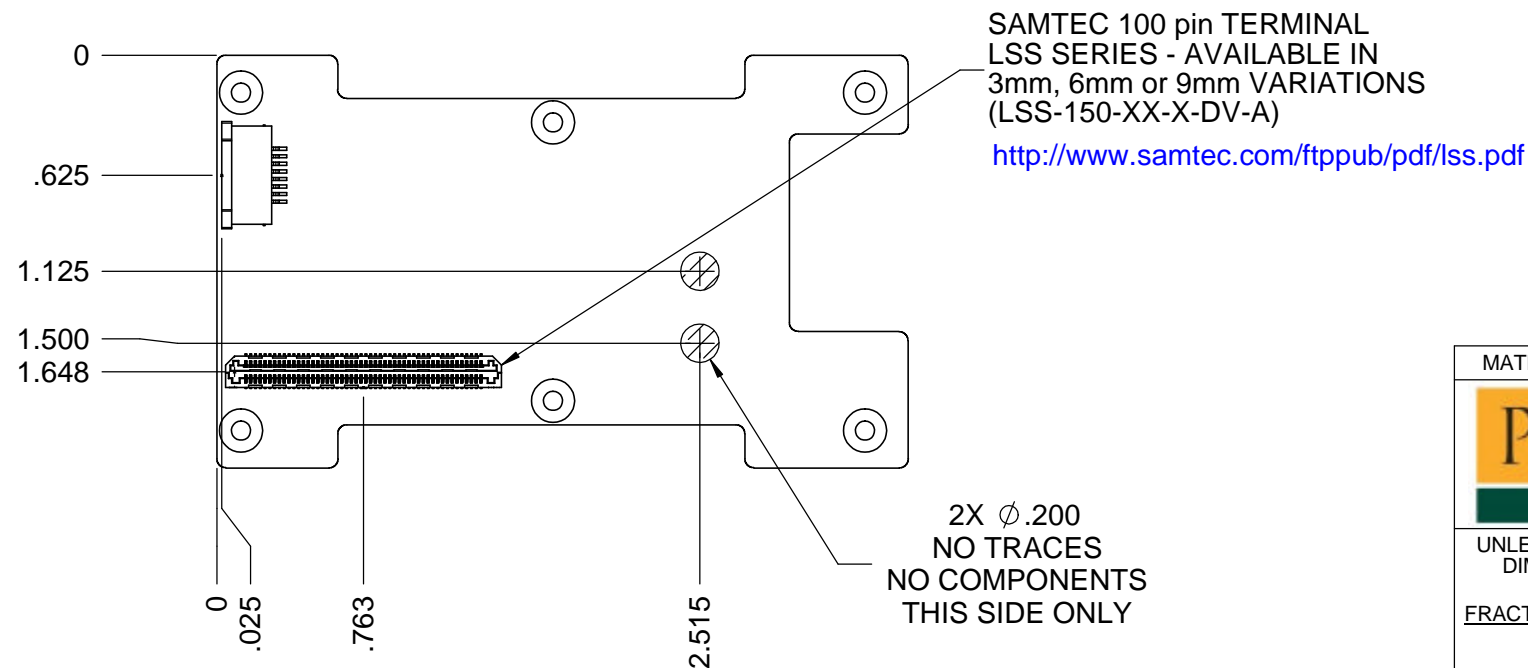
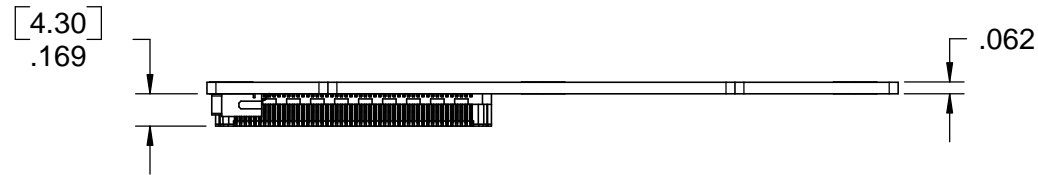
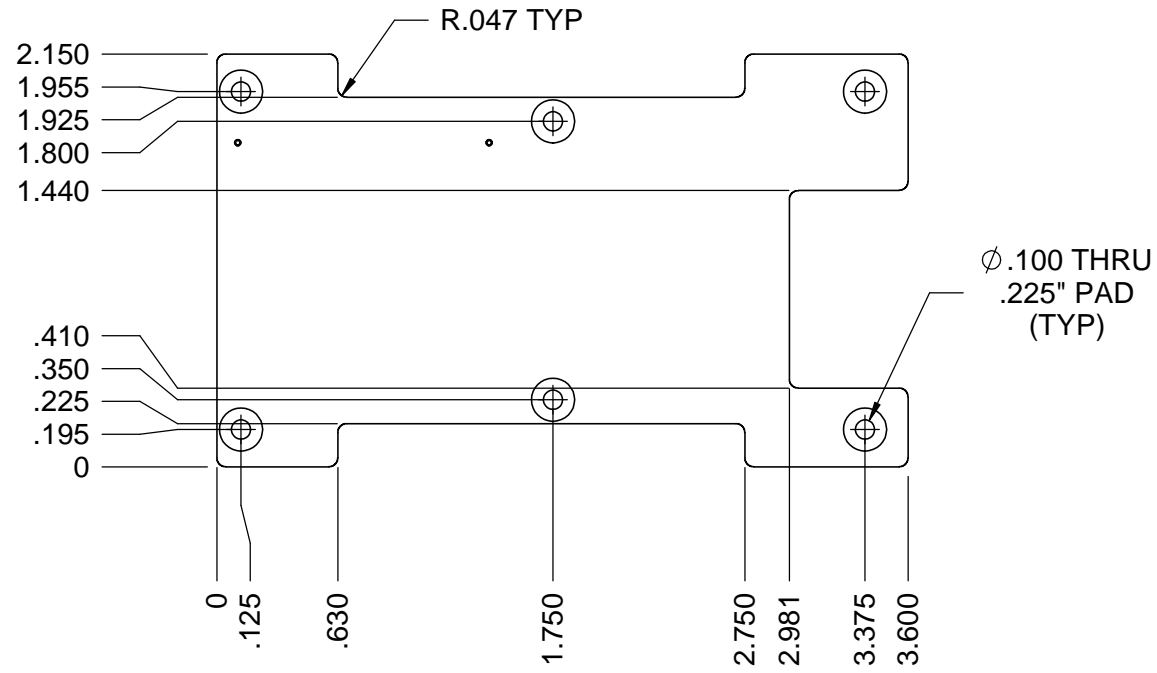
MATERIAL: SEE NOTES	FINISH: SEE NOTES	HEAT TREAT: NONE	WEIGHT:
		750 Naples - San Francisco - CA 94112 (415) 584-6360 ph - (415) 585-7948 fax info@pumpkininc.com	
		TITLE <b>Processor Module, 12mm - no radio</b>	
UNLESS OTHERWISE SPECIFIED DIMENSIONS ARE IN INCHES TOLERANCES ARE: FRACTIONS DECIMALS ANGLES .X = $\pm .030$ .XX = $\pm .010$ $\pm 0^{\circ} 30''$ .XXX = $\pm .005$		APPROVALS DRAWN AWR CHECKED QUAL ENG	DATE 06/01/08
CAD GENERATED DRAWING, DO NOT MANUALLY UPDATE		DO NOT SCALE DRAWING	
SCALE 1:1		SIZE B DWG.	REV A0 SHEET 1 OF 1


**PROPRIETARY NOTICE**

NOTICE IS HEREBY GIVEN THAT THIS DOCUMENT EMBODIES A CONFIDENTIAL PROPRIETARY DESIGN OR IS PART OF A CONFIDENTIAL PROPRIETARY DESIGN ORIGINATED BY OURSELVES OR ONE OF OUR CUSTOMERS, AND ALL DESIGN, MANUFACTURING, PREPRODUCTION USE AND SALE RIGHTS REGARDING THE SAME ARE EXPRESSLY RESERVED. IT IS SUBMITTED UNDER A CONFIDENTIAL RELATIONSHIP FOR A SPECIFIC PURPOSE, AND THE RECIPIENT BY ACCEPTING THIS DRAWING AGREES NOT TO SUPPLY OR DISCLOSE ANY INFORMATION REGARDING IT TO ANY UNAUTHORIZED PERSON, OR TO INCORPORATE IN OTHER PROJECTS, ANY SPECIAL FEATURES PECULIAR TO THIS DESIGN.

**REVISION HISTORY**

REV	LOC	DESCRIPTION	DATE	APP'VD



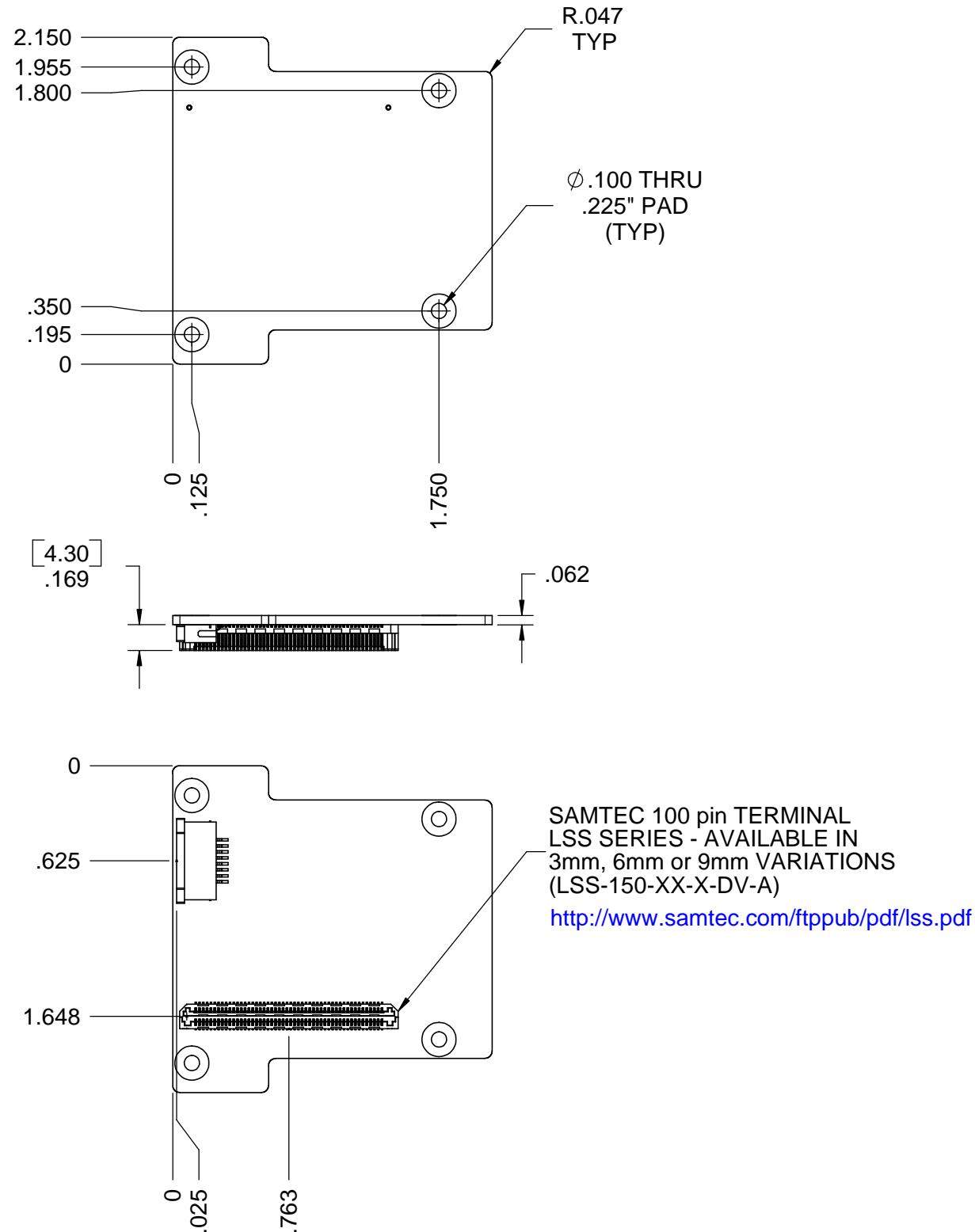
MATERIAL: SEE NOTES	FINISH: SEE NOTES	HEAT TREAT: NONE	WEIGHT:
		750 Naples - San Francisco - CA 94112 (415) 584-6360 ph - (415) 585-7948 fax info@pumpkininc.com	
		TITLE <b>Processor Module 9mm w/radio</b>	
UNLESS OTHERWISE SPECIFIED DIMENSIONS ARE IN INCHES TOLERANCES ARE: FRACTIONS    DECIMALS    ANGLES .X = ± .030 .XX = ± .010    ± 0° 30" .XXX = ± .005		APPROVALS DRAWN AWR CHECKED QUAL ENG	DATE 06/01/08
CAD GENERATED DRAWING, DO NOT MANUALLY UPDATE		DO NOT SCALE DRAWING	
SCALE 1:1		SIZE B DWG. 703-00XXX	REV A0 SHEET 1 OF 1


**PROPRIETARY NOTICE**

NOTICE IS HEREBY GIVEN THAT THIS DOCUMENT EMBODIES A CONFIDENTIAL PROPRIETARY DESIGN OR IS PART OF A CONFIDENTIAL PROPRIETARY DESIGN ORIGINATED BY OURSELVES OR ONE OF OUR CUSTOMERS, AND ALL DESIGN, MANUFACTURING, PREPRODUCTION USE AND SALE RIGHTS REGARDING THE SAME ARE EXPRESSLY RESERVED. IT IS SUBMITTED UNDER A CONFIDENTIAL RELATIONSHIP FOR A SPECIFIC PURPOSE, AND THE RECIPIENT BY ACCEPTING THIS DRAWING AGREES NOT TO SUPPLY OR DISCLOSE ANY INFORMATION REGARDING IT TO ANY UNAUTHORIZED PERSON, OR TO INCORPORATE IN OTHER PROJECTS, ANY SPECIAL FEATURES PECULIAR TO THIS DESIGN.

**REVISION HISTORY**

REV	LOC	DESCRIPTION	DATE	APP'VD



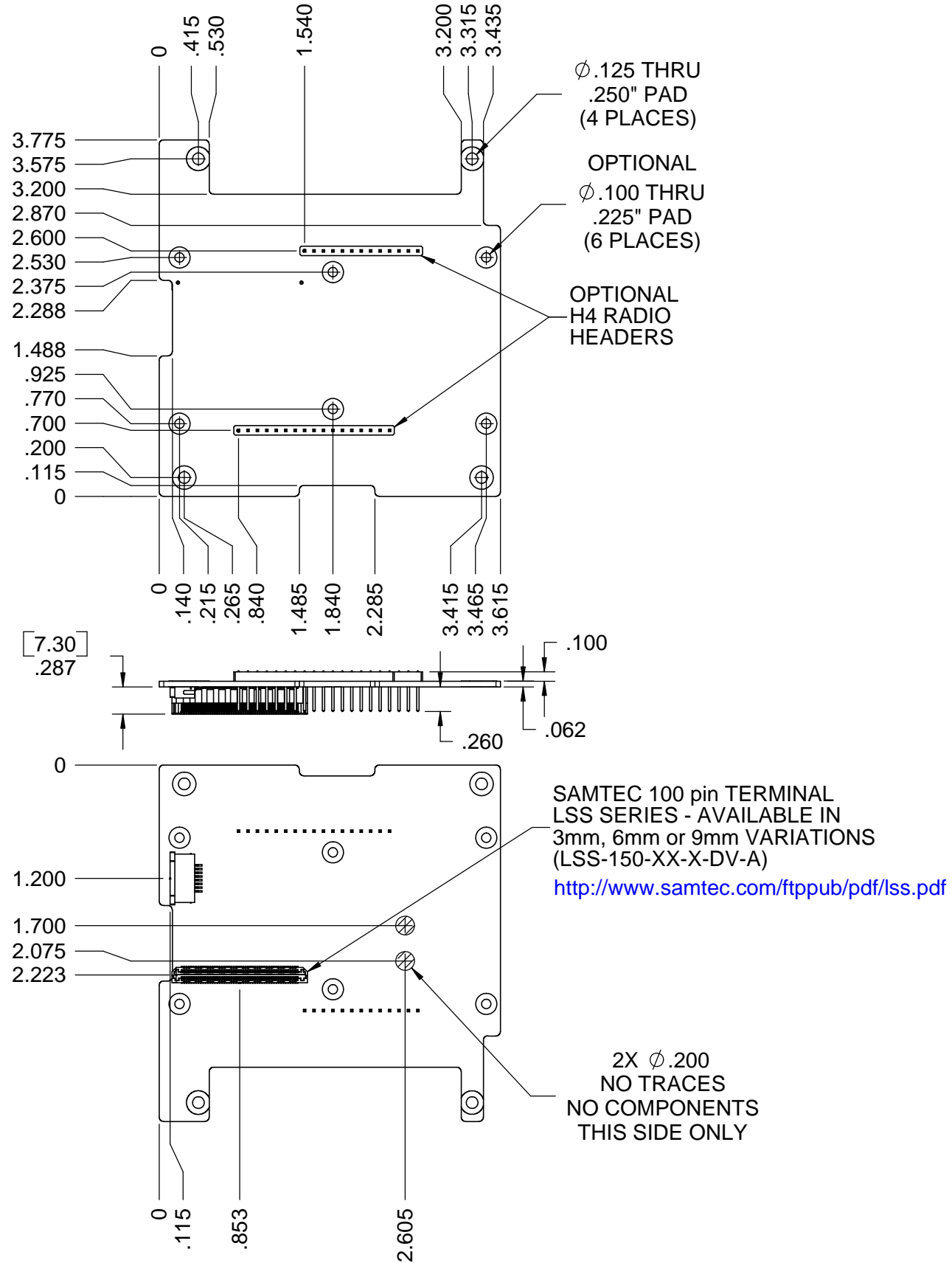
MATERIAL: SEE NOTES	FINISH: SEE NOTES	HEAT TREAT: NONE	WEIGHT:
		750 Naples - San Francisco - CA 94112 (415) 584-6360 ph - (415) 585-7948 fax info@pumpkininc.com	
		TITLE <b>Processor Module, 6mm or 9mm mount</b>	
UNLESS OTHERWISE SPECIFIED DIMENSIONS ARE IN INCHES TOLERANCES ARE:		APPROVALS	DATE
FRACTIONS DECIMALS ANGLES		DRAWN AWR	06/01/08
.X = ± .030 .XX = ± .010 ± 0° 30" .XXX = ± .005		CHECKED	
CAD GENERATED DRAWING, DO NOT MANUALLY UPDATE		QUAL ENG	
DO NOT SCALE DRAWING		SIZE B	DWG. 703-00XXX
SCALE 1:1		REV A0	SHEET 1 OF 1


**PROPRIETARY NOTICE**

NOTICE IS HEREBY GIVEN THAT THIS DOCUMENT EMBODIES A CONFIDENTIAL PROPRIETARY DESIGN OR IS PART OF A CONFIDENTIAL PROPRIETARY DESIGN ORIGINATED BY OURSELVES OR ONE OF OUR CUSTOMERS, AND ALL DESIGN, MANUFACTURING, PREPRODUCTION USE AND SALE RIGHTS REGARDING THE SAME ARE EXPRESSLY RESERVED. IT IS SUBMITTED UNDER A CONFIDENTIAL RELATIONSHIP FOR A SPECIFIC PURPOSE, AND THE RECIPIENT BY ACCEPTING THIS DRAWING AGREES NOT TO SUPPLY OR DISCLOSE ANY INFORMATION REGARDING IT TO ANY UNAUTHORIZED PERSON, OR TO INCORPORATE IN OTHER PROJECTS, ANY SPECIAL FEATURES PECULIAR TO THIS DESIGN.

**REVISION HISTORY**

REV	LOC	DESCRIPTION	DATE	APP'VD



MATERIAL: SEE NOTES	FINISH: SEE NOTES	HEAT TREAT: NONE	WEIGHT:
		750 Naples - San Francisco - CA 94112 (415) 584-6360 ph - (415) 585-7948 fax info@pumpkininc.com	
		<b>Processor Module, Full Size, 9mm or 12mm mount</b>	
UNLESS OTHERWISE SPECIFIED DIMENSIONS ARE IN INCHES TOLERANCES ARE: FRACTIONS    DECIMALS    ANGLES .X = ± .030 .XX = ± .010    ± 0° 30" .XXX = ± .005		APPROVALS DRAWN AWR CHECKED QUAL ENG	DATE 05/12/09
CAD GENERATED DRAWING, DO NOT MANUALLY UPDATE		DO NOT SCALE DRAWING	
SCALE 2:3		SIZE B DWG. 703-00XXX	REV A0 SHEET 1 OF 1