

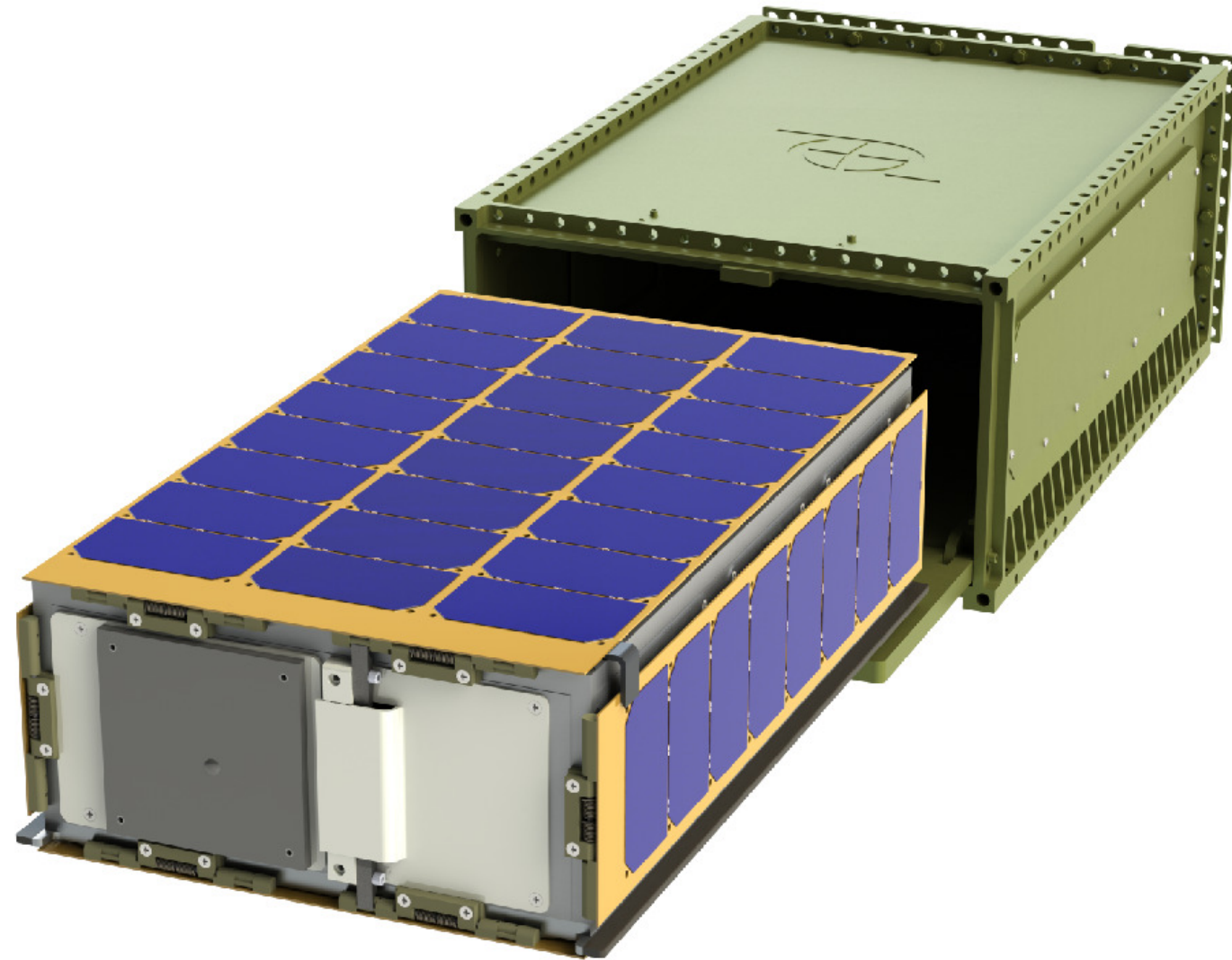
PROPRIETARY NOTICE

NOTICE IS HEREBY GIVEN THAT THIS DOCUMENT EMBODIES A CONFIDENTIAL PROPRIETARY DESIGN OR IS PART OF A CONFIDENTIAL PROPRIETARY DESIGN ORIGINATED BY OURSELVES OR ONE OF OUR CUSTOMERS, AND ALL DESIGN, MANUFACTURING, PREPRODUCTION USE AND SALE RIGHTS REGARDING THE SAME ARE EXPRESSLY RESERVED. IT IS SUBMITTED UNDER A CONFIDENTIAL RELATIONSHIP FOR A SPECIFIC PURPOSE, AND THE RECIPIENT BY ACCEPTING THIS DRAWING AGREES NOT TO SUPPLY OR DISCLOSE ANY INFORMATION REGARDING IT TO ANY UNAUTHORIZED PERSON, OR TO INCORPORATE IN OTHER PROJECTS, ANY SPECIAL FEATURES PECULIAR TO THIS DESIGN.


REVISIONS

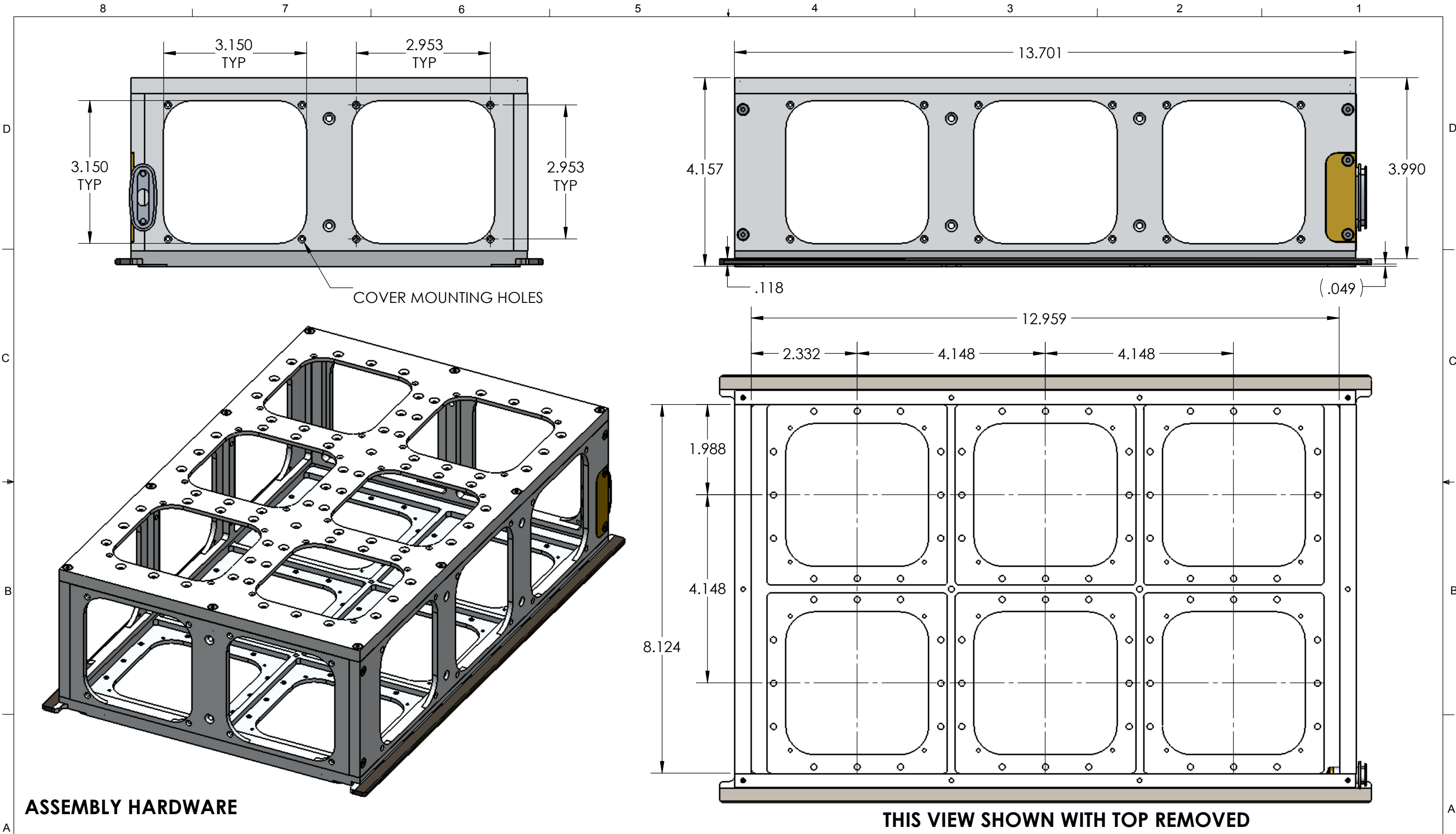
ZONE	REV.	DESCRIPTION	DATE	APPROVED
------	------	-------------	------	----------

SUPERNOVA™ 6U CUBESAT SYSTEM





SHOWN DEPLOYING FROM A PLANETARY SYSTEMS CORP. CSD (CANNESTERIZED SATELLITE DISPENSER)

MATERIAL: XXXX	FINISH: XXXX	HEAT TREAT: XXXX	WEIGHT: XXXX
		750 Naples - San Francisco - CA 94112 (415) 584-6360 ph - (415) 585-7948 fax info@pumpkininc.com	
		TITLE SUPERNOVA BLOCK III	
UNLESS OTHERWISE SPECIFIED DIMENSIONS ARE IN INCHES TOLERANCES ARE: FRACTIONS DECIMALS ANGLES .XX = ± .010 .XXX = ± .005 ± 0° 30" .XXXX = ± .002	APPROVALS	DATE	
	DRAWN <i>Shaun</i>	7/31/14	
	CHECKED		
	QUAL ENG		
CAD GENERATED DRAWING, DO NOT MANUALLY UPDATE	DO NOT SCALE DRAWING	SCALE 1:2	REV A03 SHEET 1 OF 4



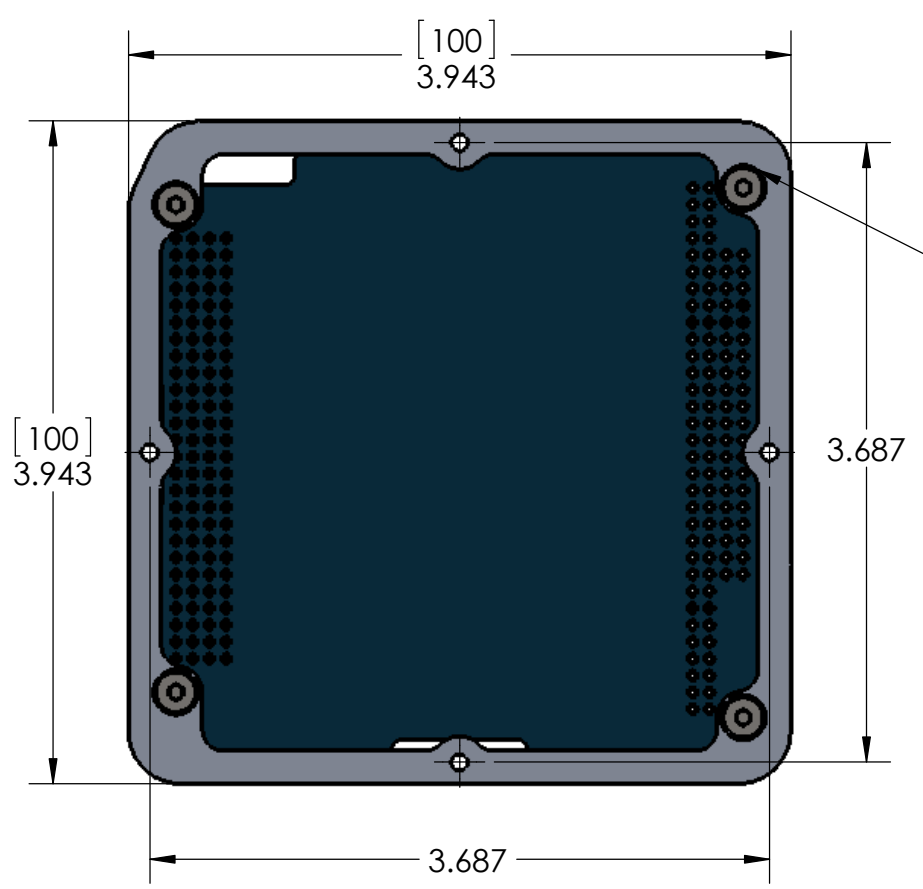
ASSEMBLY HARDWARE

-  M2.5x4mm -- COVER ATTACHMENT
-  M3x12mm -- STRUCTURAL ASSEMBLY

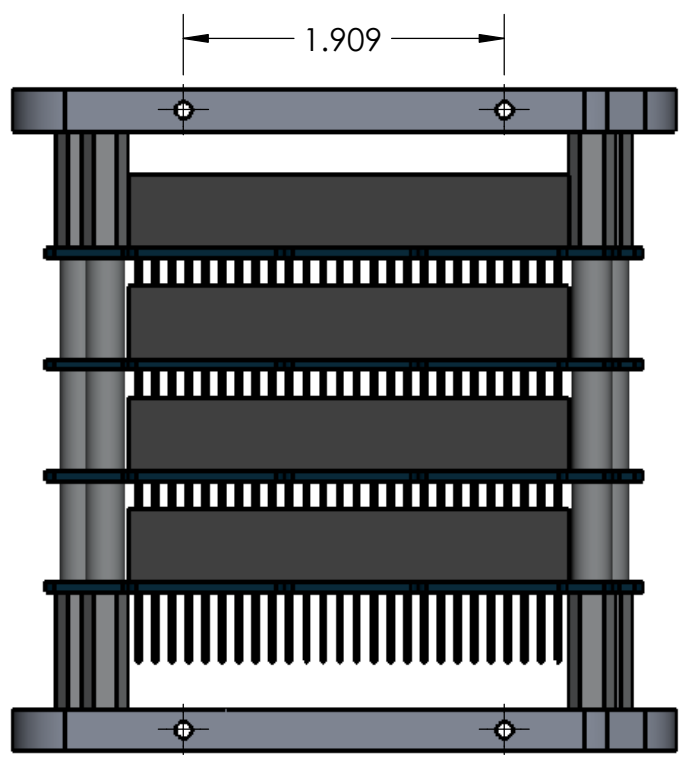
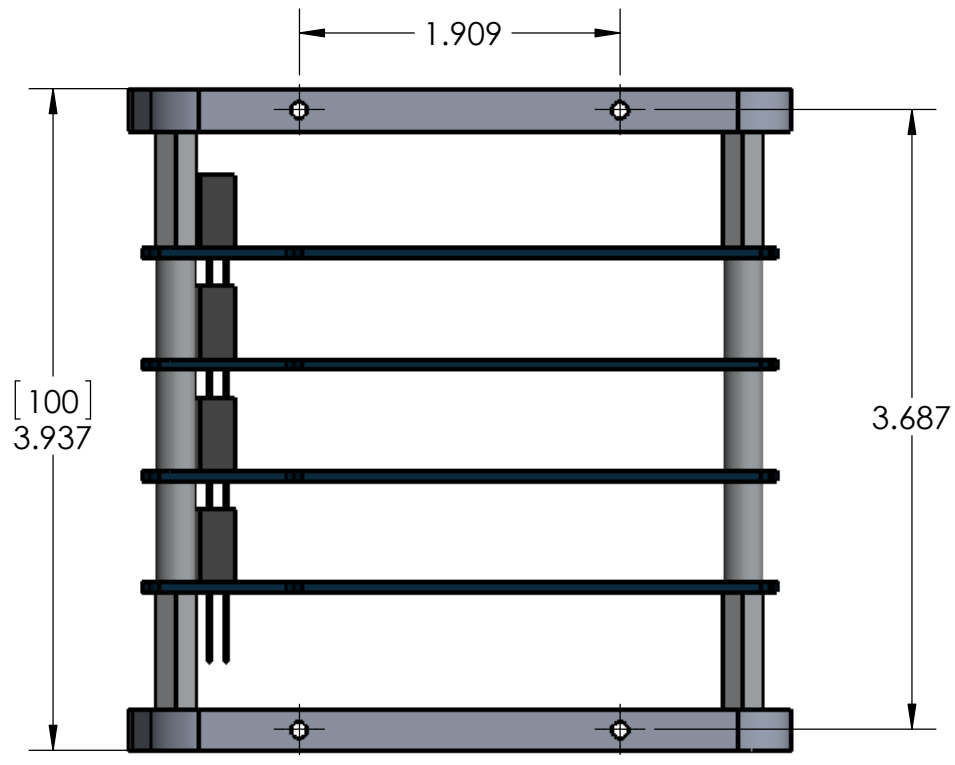
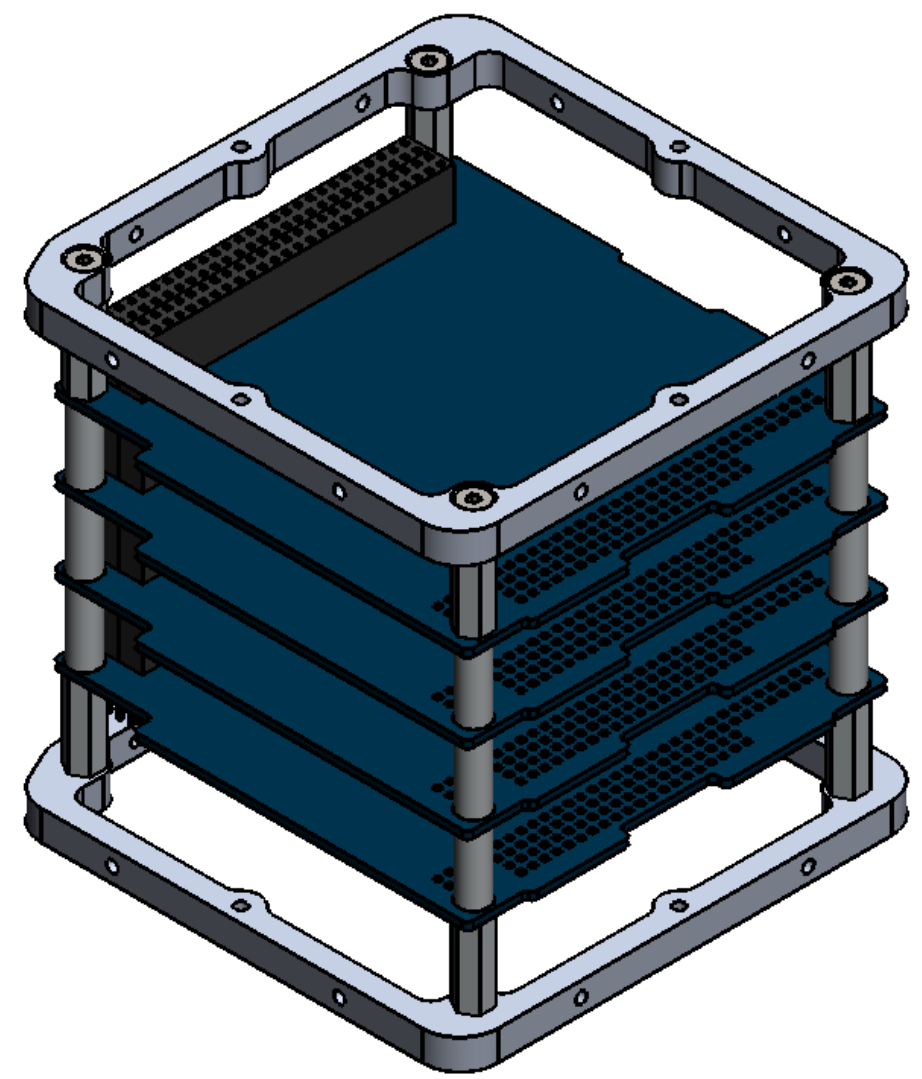
PROPRIETARY NOTICE

NOTICE IS HEREBY GIVEN THAT THIS DOCUMENT EMBODIES A CONFIDENTIAL PROPRIETARY DESIGN OR IS PART OF A CONFIDENTIAL PROPRIETARY DESIGN ORIGINATED BY OURSELVES OR ONE OF OUR CUSTOMERS, AND ALL DESIGN, MANUFACTURING, PREPRODUCTION USE AND SALE RIGHTS REGARDING THE SAME ARE EXPRESSLY RESERVED. IT IS SUBMITTED UNDER A CONFIDENTIAL RELATIONSHIP FOR A SPECIFIC PURPOSE, AND THE RECIPIENT BY ACCEPTING THIS DRAWING AGREES NOT TO SUPPLY OR DISCLOSE ANY INFORMATION REGARDING IT TO ANY UNAUTHORIZED PERSON, OR TO INCORPORATE IN OTHER PROJECTS, ANY SPECIAL FEATURES PECULIAR TO THIS DESIGN.

TITLE		SUPERNOVA BLOCK III	
SIZE	DWG.	REV	
BB	--	A03	
SCALE 1:2		SHEET 2 OF 4	



SUPERNOVA "UNIT CELL"

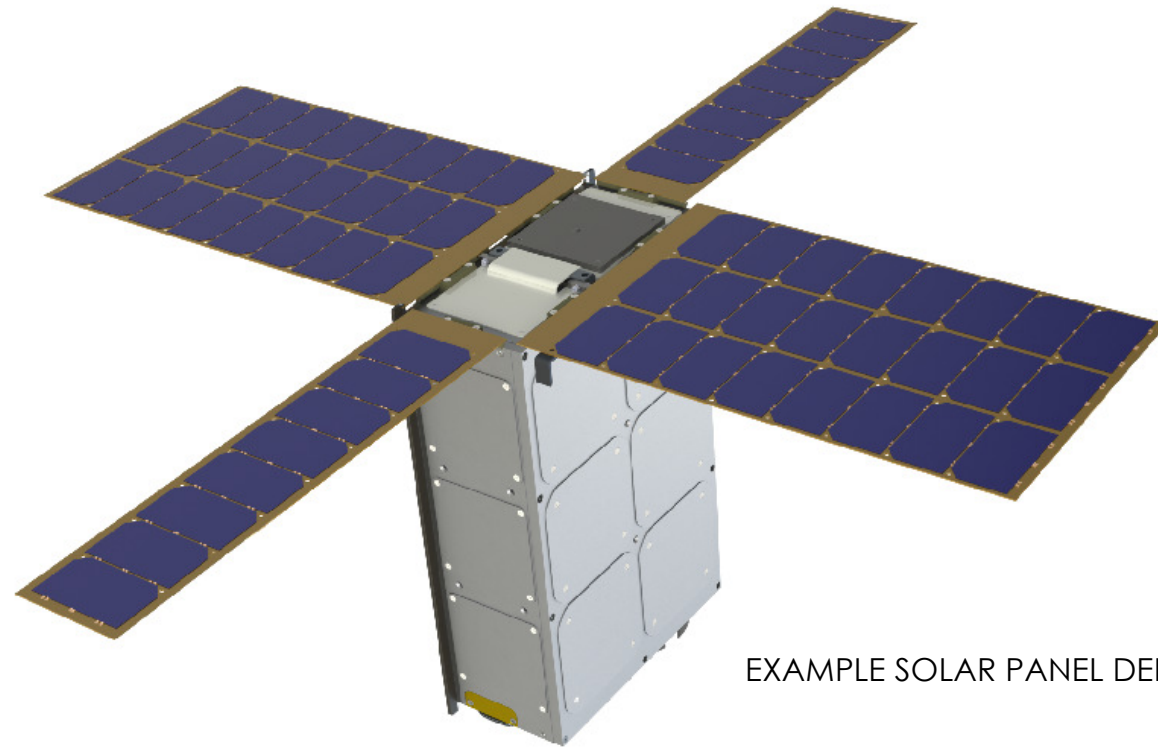
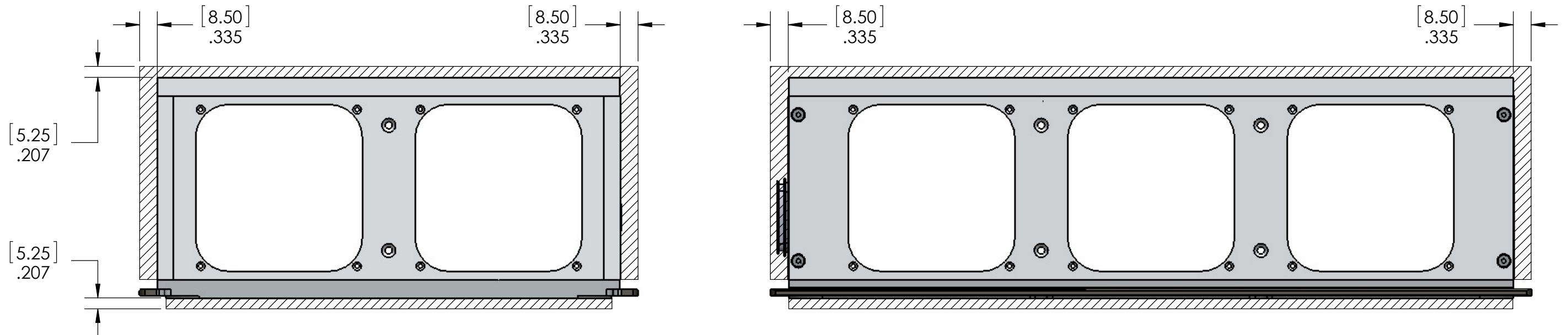


PROPRIETARY NOTICE

NOTICE IS HEREBY GIVEN THAT THIS DOCUMENT EMBODIES A CONFIDENTIAL PROPRIETARY DESIGN OR IS PART OF A CONFIDENTIAL PROPRIETARY DESIGN ORIGINATED BY OURSELVES OR ONE OF OUR CUSTOMERS, AND ALL DESIGN, MANUFACTURING, PREPRODUCTION USE AND SALE RIGHTS REGARDING THE SAME ARE EXPRESSLY RESERVED. IT IS SUBMITTED UNDER A CONFIDENTIAL RELATIONSHIP FOR A SPECIFIC PURPOSE, AND THE RECIPIENT BY ACCEPTING THIS DRAWING AGREES NOT TO SUPPLY OR DISCLOSE ANY INFORMATION REGARDING IT TO ANY UNAUTHORIZED PERSON, OR TO INCORPORATE IN OTHER PROJECTS, ANY SPECIAL FEATURES PECULIAR TO THIS DESIGN.

TITLE		SUPERNOVA BLOCK III	
SIZE	DWG.	REV	
BB	--	A03	
SCALE 7:8		SHEET 3 OF 4	

EXTERNAL VOLUME (WITH PLANETARY SYSTEMS CSD)



EXAMPLE SOLAR PANEL DEPLOYMENT

PROPRIETARY NOTICE

NOTICE IS HEREBY GIVEN THAT THIS DOCUMENT EMBODIES A CONFIDENTIAL PROPRIETARY DESIGN OR IS PART OF A CONFIDENTIAL PROPRIETARY DESIGN ORIGINATED BY OURSELVES OR ONE OF OUR CUSTOMERS, AND ALL DESIGN, MANUFACTURING, PREPRODUCTION USE AND SALE RIGHTS REGARDING THE SAME ARE EXPRESSLY RESERVED. IT IS SUBMITTED UNDER A CONFIDENTIAL RELATIONSHIP FOR A SPECIFIC PURPOSE, AND THE RECIPIENT BY ACCEPTING THIS DRAWING AGREES NOT TO SUPPLY OR DISCLOSE ANY INFORMATION REGARDING IT TO ANY UNAUTHORIZED PERSON, OR TO INCORPORATE IN OTHER PROJECTS, ANY SPECIAL FEATURES PECULIAR TO THIS DESIGN.

TITLE		SUPERNOVA BLOCK III	
SIZE	DWG.	REV	
BB	--	A03	
SCALE 1:2		SHEET 4 OF 4	